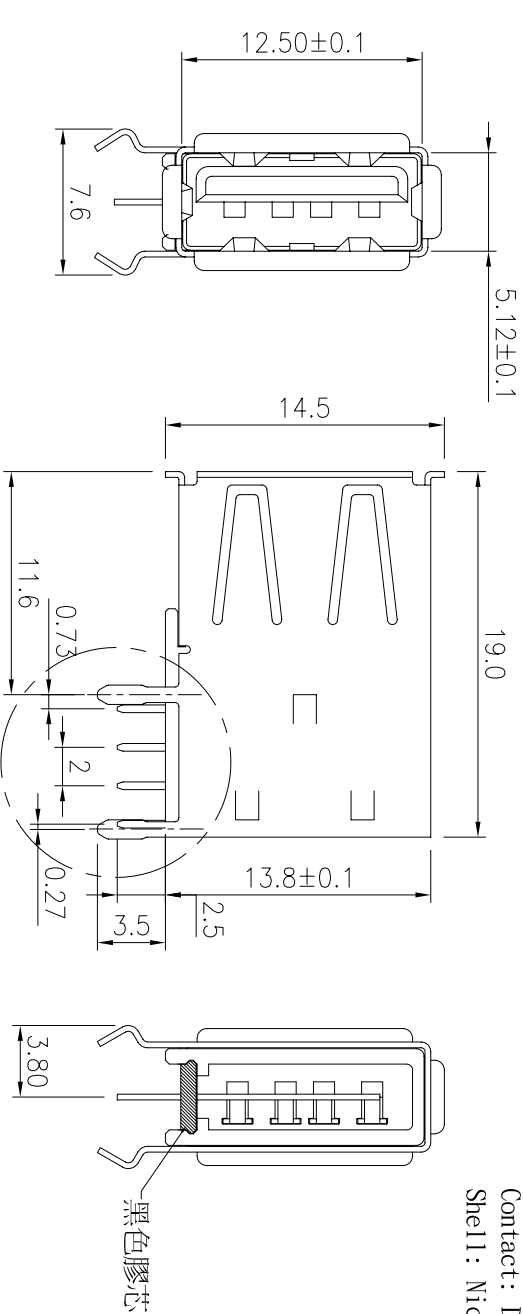


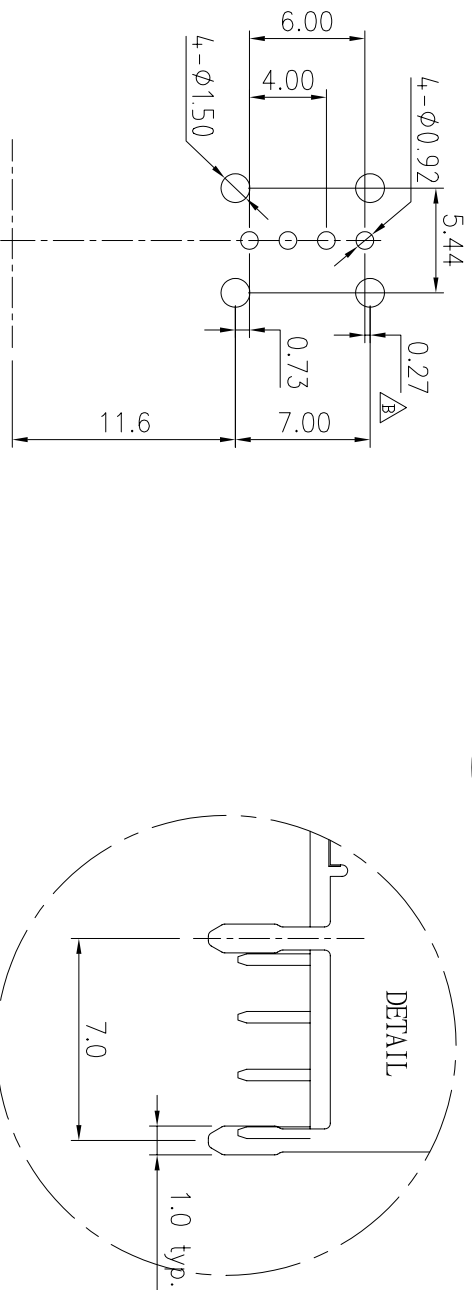
**MATERIAL**  
 Contact material: Phosphor bronze t=0.25mm  
 Insulator Material: Thermoplastic, Glass Fiber Filled UL 94 V-0  
 Shell: Brass

**FINISH**  
 Contact: Duplex Plated over all Nickel  
 Shell: Nickel Plated Over Cu



**HOW TO ORDER**

US2X-X-X-XX  
 COLOR  
 BL:BLUE  
 BK:BLACK  
 DIP 90° (側立式)  
 A Type.  
 Normal Part  
 G:ROHS Part  
 V:For Lead free process  
 Base No.



RECOMMENDED PCB LAYOUT

E	ADD DIMENSION $\nabla$ E	06/08/07"
D	CHANGE $\nabla$ D	10/19/06"
C	ADD 黑色膠芯	08/15/06"
B	ADD DIMENSION $\nabla$ B	07/18/06"
A	RELEASE (F00060) 1.3.35→1.3.8 & CHANGE PART NO. SYSTEM	12/20/05"
REV.	REV. RECORD	DATE

MATERIAL	UNIT
SFE NOTE	mm
DR. KELLY	RE.
CHK.	APP.

**LONG CHU ELECTRONICS CO. LTD**  
**龍竹企業股份有限公司**

DESCRIPTION:

USB A TYPE 4PIN FEMALE 90° DIP (側立式)

GENERAL TOLERANCE	SIZE	P/N
0. ±.50	A4	US2-A-D SERIES
0.0 ±.30	SCALE	REV.
0.00 ±.20	---	E
		SHEET NO.
		40528A